

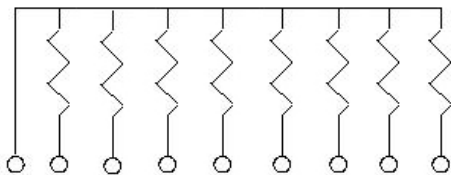
Specification – Resistors Network

9 PIN SIP Type

I. RESISTORS FEATURES

- 8 Resistors (470m) in Single Package & 1 Common PIN
- Resistors Higher Value (470mega ohm)
- Lead Free (ROHS)
- EPOXY Coated with Top Side

II. PIN CONFIGURATION / CIRCUIT



PIN ONE COMMON & PIN 2 to 9 RESISTORS

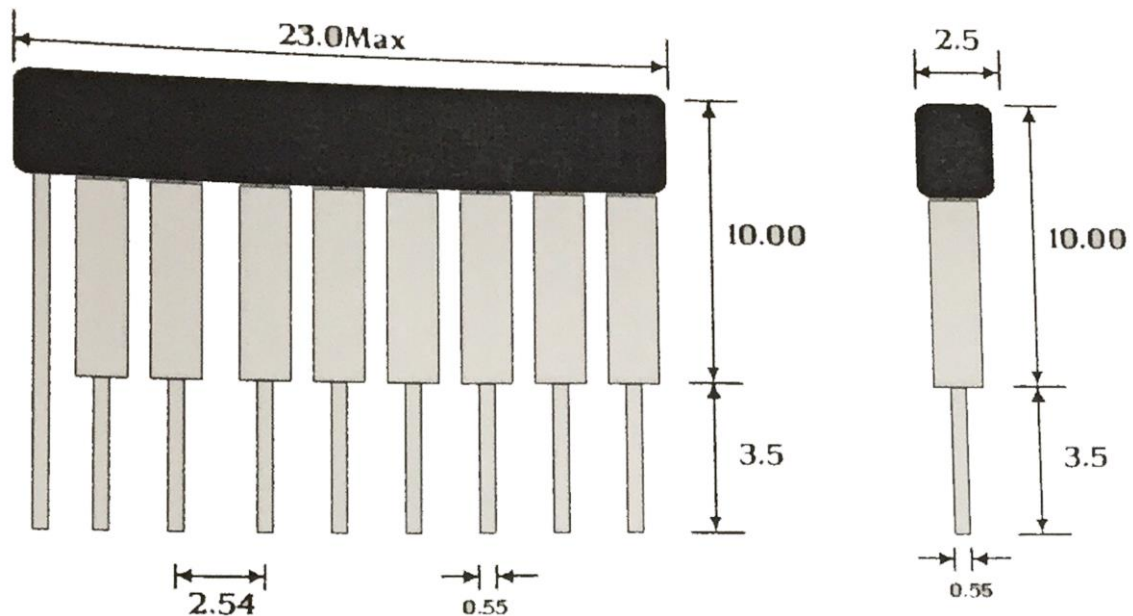
III. MARKING OF THE PRODUCT

- NONE

IV. ELECTRICAL

- NONE

DIMENSIONS

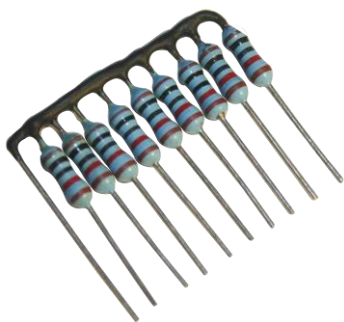


All Dimension are in mm / Drawing not to Scale / Tolerance 0.0 +/- 0.5, 0.00+/-0.05

CONTACT

sales@sv-components.com

www.sv-components.com



Ph: +1-512 914 0647 Fx: +1-866 329 0809 Email: sales@sv-components.com

Website: www.sv-components.com